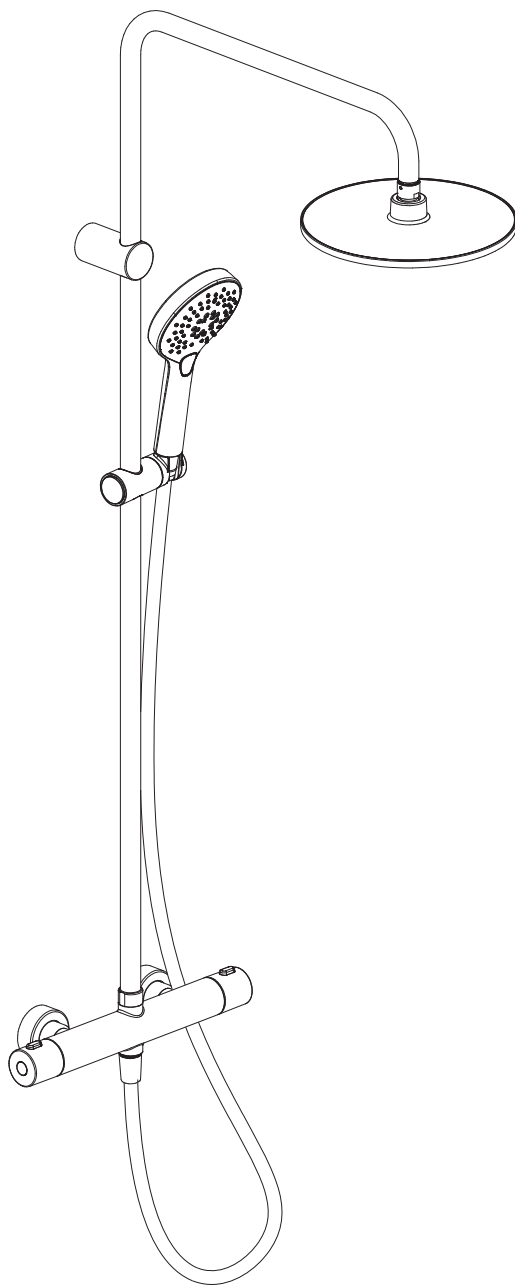


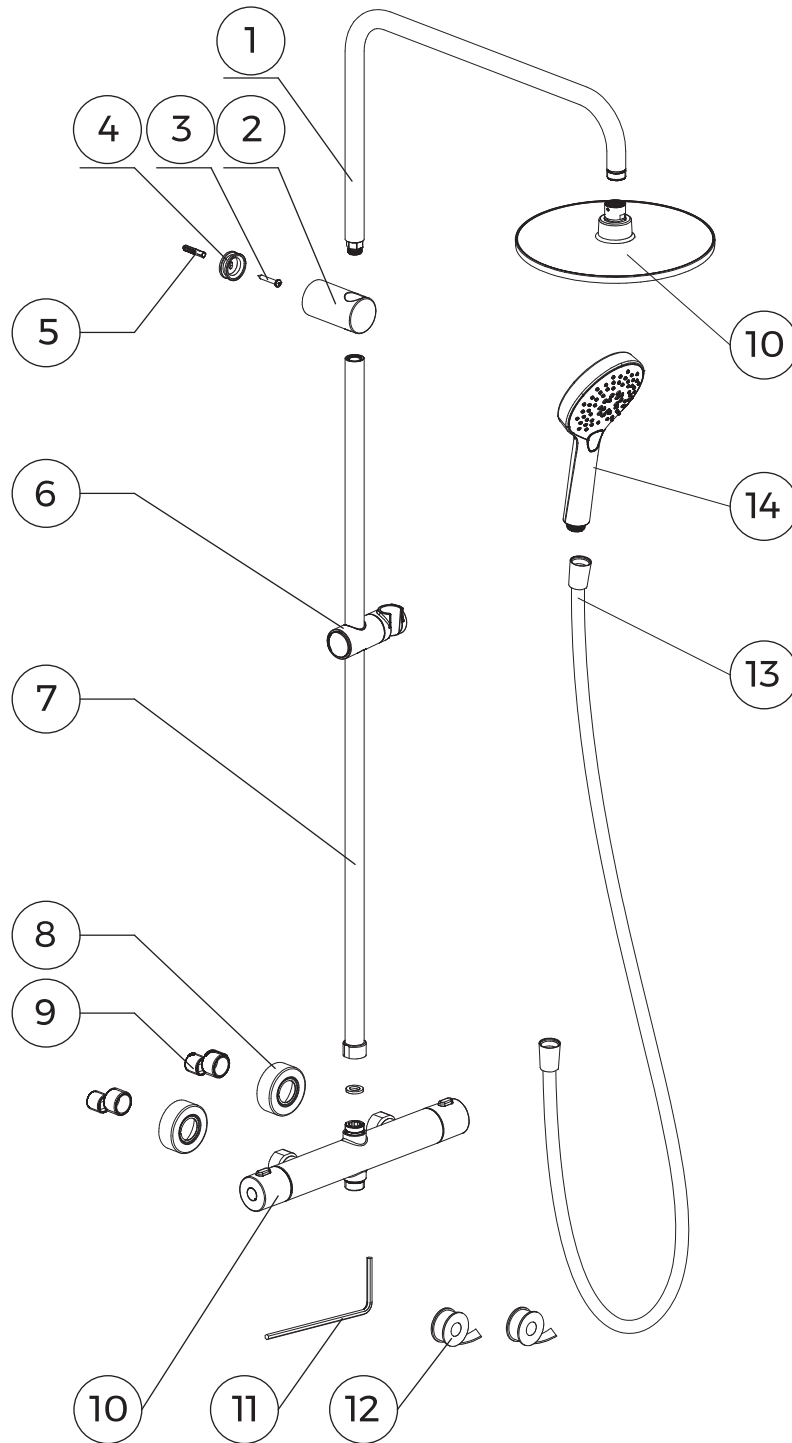
OLTENS



Atran

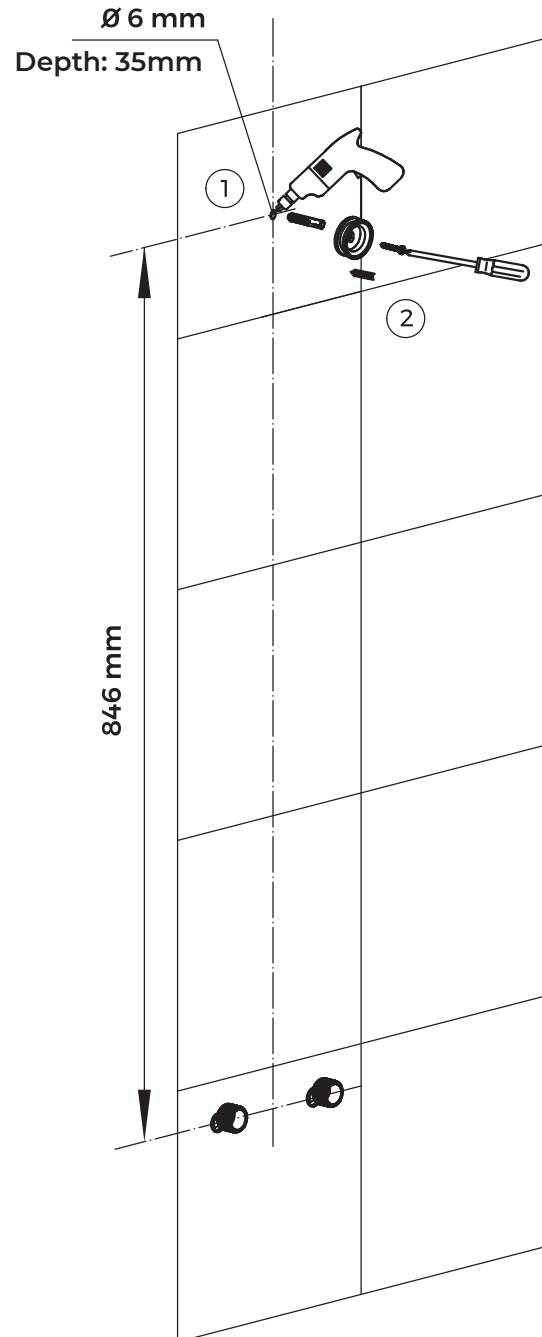
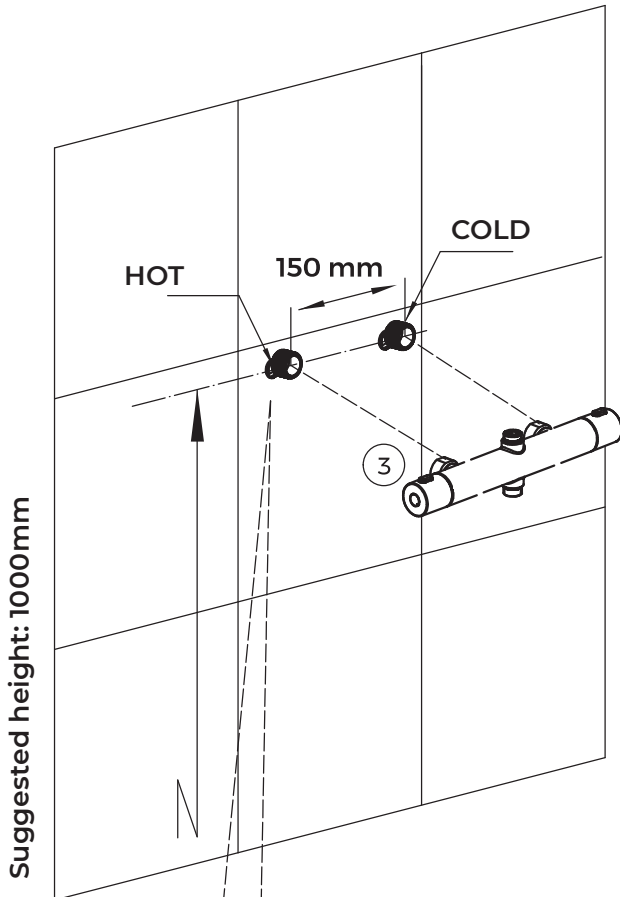
Thermostatic mixer shower kit

- fitting guide



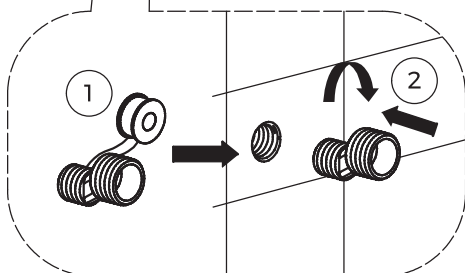
Installation of offset connectors of the thermostatic mixer

1. Wrap the narrower end of the offset connector with teflon tape counterclockwise.
2. Next, connect to hot and cold water outlets, as appropriate.
3. Adjust the distance between the wider ends of offset connectors and ensure that the spacing is the same as the connection of the thermostatic mixer.



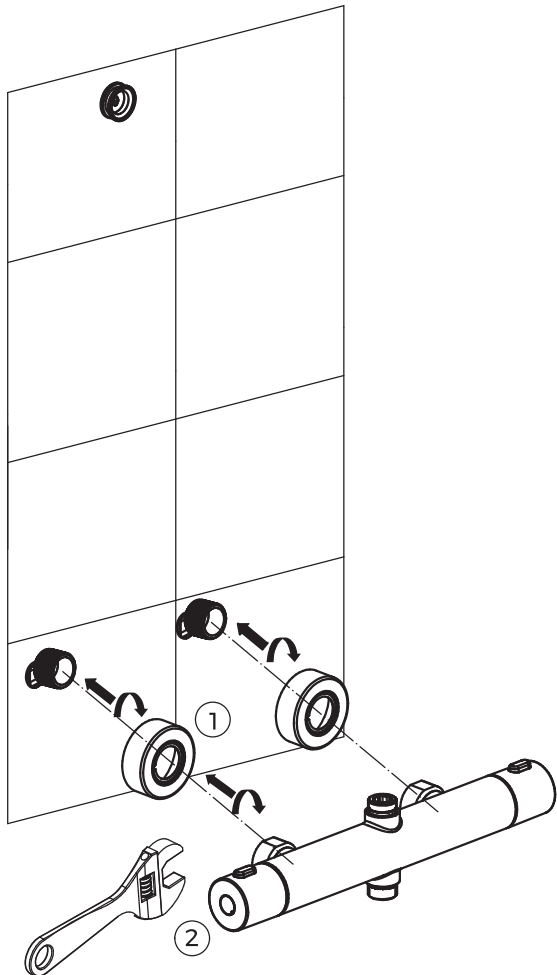
Installation of fixing ring

1. Mark the position of the fixing ring on the wall. Drill a $\text{Ø } 6 \text{ mm}$ hole in the wall. The depth of the whole should be 35 mm.
2. Place the screw flange in the hole and fit the fixing ring in the wall with the mounting screw. Tighten the fixing ring to the wall



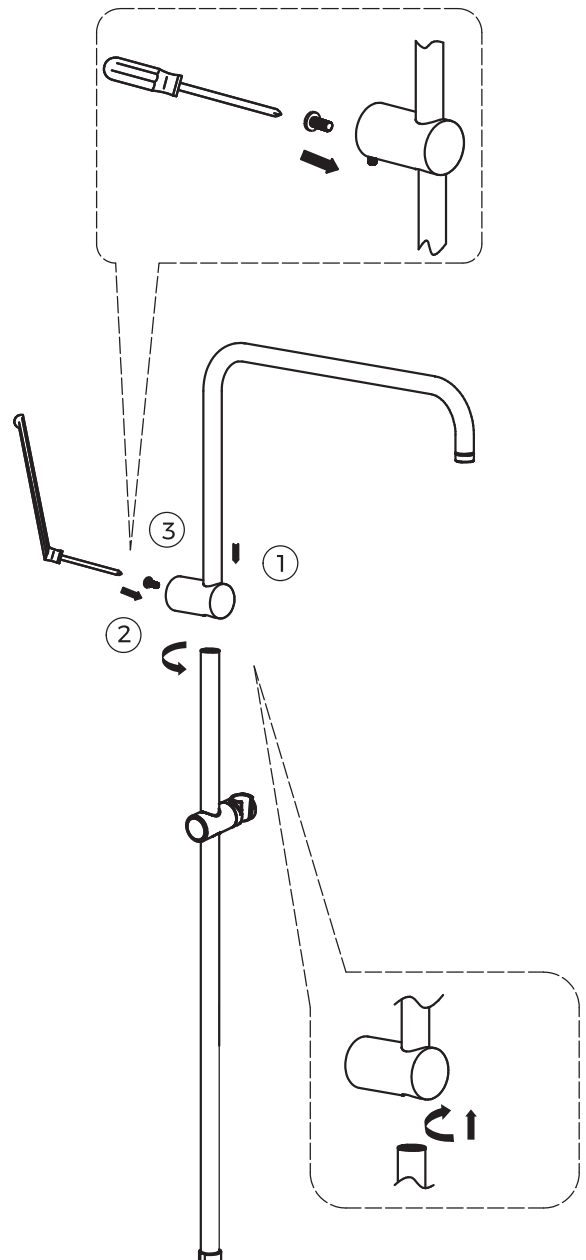
Installation of thermostatic mixer

1. Place the rosettes on the parts of offset connectors protruding from the wall and fix them to the wall
2. Tighten the mixer nuts to offset connectors with a nut wrench



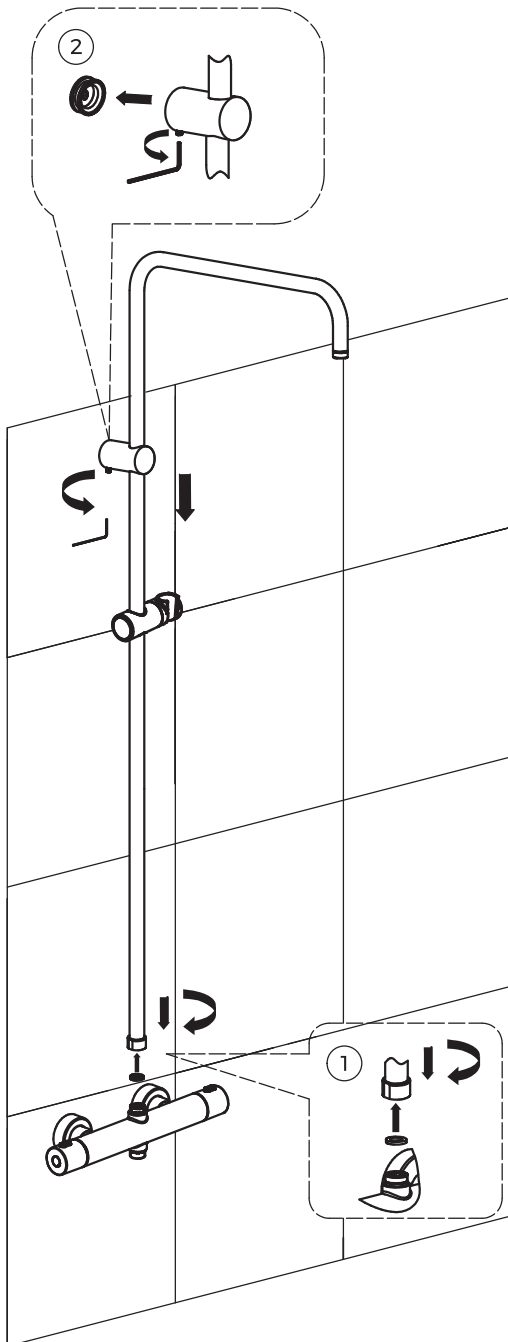
Installation of pipes

1. Unscrew the cross-head screw from the fixing bracket counterclockwise, pull the curved pipe. Ensure that the bottom of the curved pipe holds a ring seal.
2. Position the direction of the curved pipe and the bracket as shown in the figure below and insert the curved pipe to the bracket.
3. Insert the pipe end with the female thread to the bracket. Screw the pipe until tight.
4. Tighten the screw to the bracket to ensure that the bracket and the curved pipe are attached firmly.



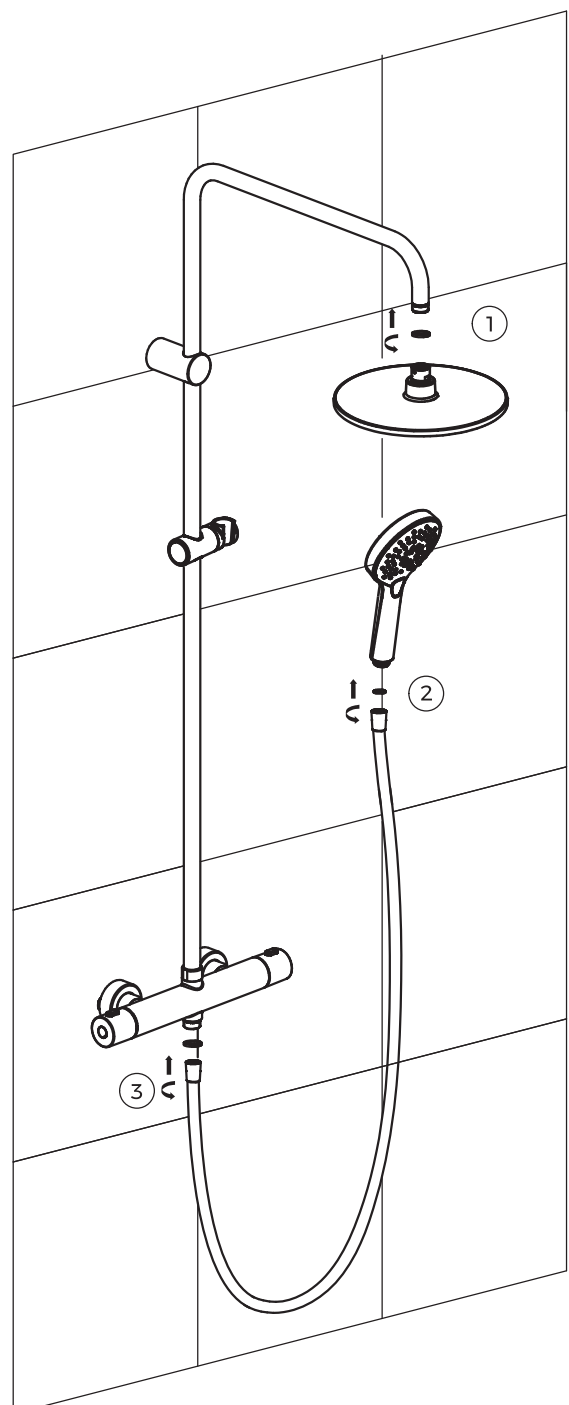
Installation of pipes to the wall

1. Insert one washer seal into the round pipe nut. Connect the round nut with the connector in the upper part of the thermostatic mixer
2. Place the bracket into the fixing ring and then screw with an Allen key (included)



Installation of the rain shower head, handset and hose

1. Place the seal in the round nut of the shower head. Connect the shower head to the curved pipe to avoid any leaks
2. Place a seal in each narrow hose nut. Screw one end of the shower hose to the handset. Place the handset in the holder.
3. Connect the other end of the shower hose to the lower outlet of the thermostatic mixer



Check the parts needed for the installation against the list:

NO.	PARTS LIST	QUANTITY
1	Curved pipe	1
2	Fixing bracket	1
3	Screw	1
4	Fixing ring	1
5	Wall plug	1
6	Adjustable shower head holder	1
7	Pipe	1
8	Thermostatic mixer rosettes	2
9	Offset connectors	2
10	Thermostatic mixer	1
11	Allen key	1
12	Teflon tape	2
13	Shower hose	1
14	Handset	1
15	Rain shower head	1

Notes to the installation procedure:

Do not disassemble any parts attached together, as they had been assembled and checked before they were released by the manufacturer.

To avoid damaging the thermostatic mixer, prior to installation the piping system should be flushed to remove any debris, such as sand, limescale and sludge.

Before installation, make sure that there are no concealed cables and pipes in the wall where you intend to drill.

After the installation, please ensure that all connections are tight and there are no leaks.

Technical information

Working pressure **0,1 MPa - 0,6 MPa**

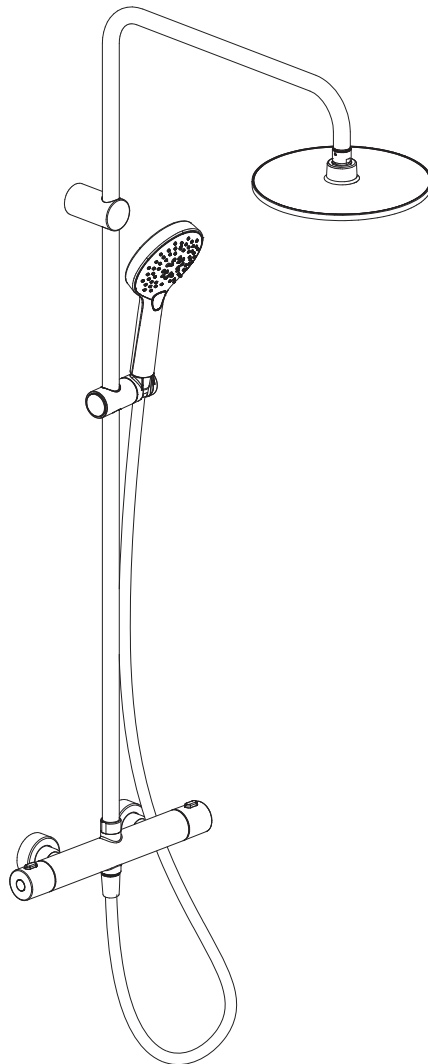
Recommended pressure **0,2 MPa - 0,5 MPa**

Maximum temperature of hot water **85°C**

Recommended temperature of hot water **55°C - 65°C**

Check whether the installation of hot and cold water was done correctly.

Ensure that the installed parts are as shown in the figure below.



Care and maintenance

Flush with clean water and wipe with a dry, soft cloth. For heavier deposits, it is recommended to use special tap cleaning agents, preferably professional Oltens products from the NanoCare and NanoShine series. Never use agents containing alcohol, disinfectants, solvents and strong bases. Never clean the surface of the tap with rough cloths or cleaning agents containing abrasive materials and acids.

